

VSLDSMAR – DRUVA®PUR SHUT-OFF VALVE

VALVE | PURE LINE (STAINLESS STEEL) | 20 m³ SERIES | DIAPHRAGM SHUT-OFF VALVE
 | MANUAL ACTUATION | 2-PORT VERSION | INLET/ OUTLET TUBE STUB



2-port metal diaphragm shut-off valve is used in supply systems for pure, inert, flammable, oxidizing gases and gas mixtures. This stainless steel version valve is also usable for corrosive and toxic gases and gas mixtures. Maximum gas purity is 6.0.

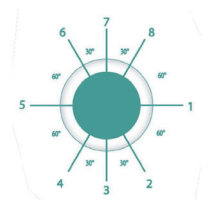
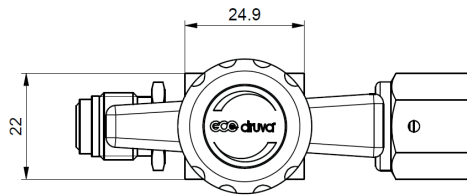
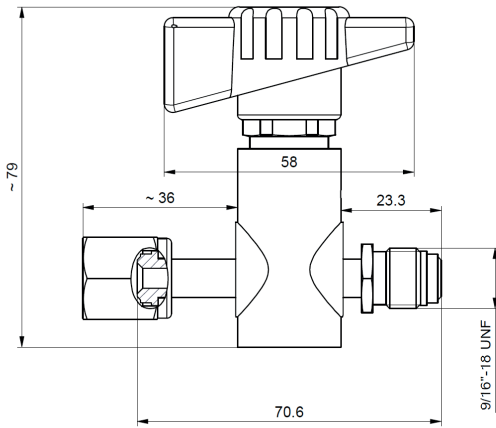
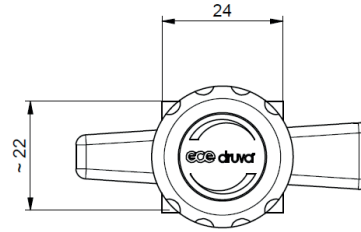
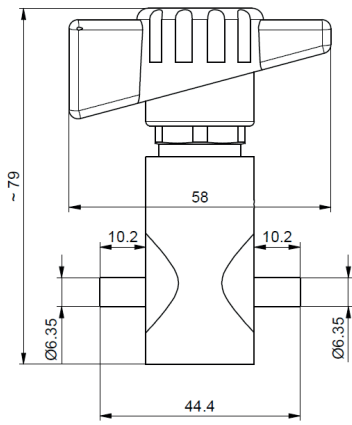
SPECIAL FEATURES:

- > Lever valve, 1/4 turn
- > Metallic sealing system to atmosphere
- > Compact design
- > Designed and approved in accordance with relevant sections of ISO 10297:2015
- > Cleaning, assembly and vacuum packaging in clean room type ISO 7 according ISO 14 644-1



TECHNICAL DATA	
Working temperature:	-20 °C to +60 °C
Inlet / outlet ports:	Tube Stub 6 mm and VCR 1/4"
Max. working pressure:	3,000 psig (207 Bar)
Cv-value:	0,25
Leakage rate seat:	<5x10 ⁻⁶ mbar l/s (Helium)
Leakage rate outside:	<1x10 ⁻⁹ mbar l/s (Helium)
Weight:	0,2 kg
Material gas wetted parts	
Valve body:	Stainless Steel (1.4404)
Valve diaphragm:	2x Elgiloy
Valve seat:	PCTFE
Valve poppet:	Stainless Steel (1.4404)
Surface finish:	Ra 0,8 µm
Bonnet:	Brass Chrome Plated
Test in production:	Pressure test with Helium of each item
	Seat leakage test with Helium of each item
	Helium leak test of each valve against atmosphere
	Test of functionality of each item
Approvals during development:	Type test in accordance with ISO 10297:2015
	Electrostatic chargeability test
	• Fulfill requirements according ISO 80079-36, IEC TS 60079-32-1 and German TRGS 727 • Usable in EX-areas zones 1 and 2 for gases with explosion risk group I, IIA, IIB, IIC
For detailed information on tests and approvals during development and production of our TEC/PUR series see DATA-SpecGeneral-EN .	

TECHNICAL DRAWING



ORDER CODE:

Example for a Valve | PUR Linie | Stainless Steel | Low Flow | Diaphragm Shut-off Valve | Manual Actuation | 2-Port Version

VSL	DS	M	AR	FX	IV4F	IV4M
	Type	Actuation	Porting Code	Working Pressure (bar)	Connection Port 1	Connection Port 5
	DS Diaphragm Shut-off Valve	M Manual	AR 2-Port (1 In 5 Out)	FX 200	IT4W IV4F IV4M	IT4W IV4F IV4M

