



## AMBULANCE PANEL SYSTEM **APS II**

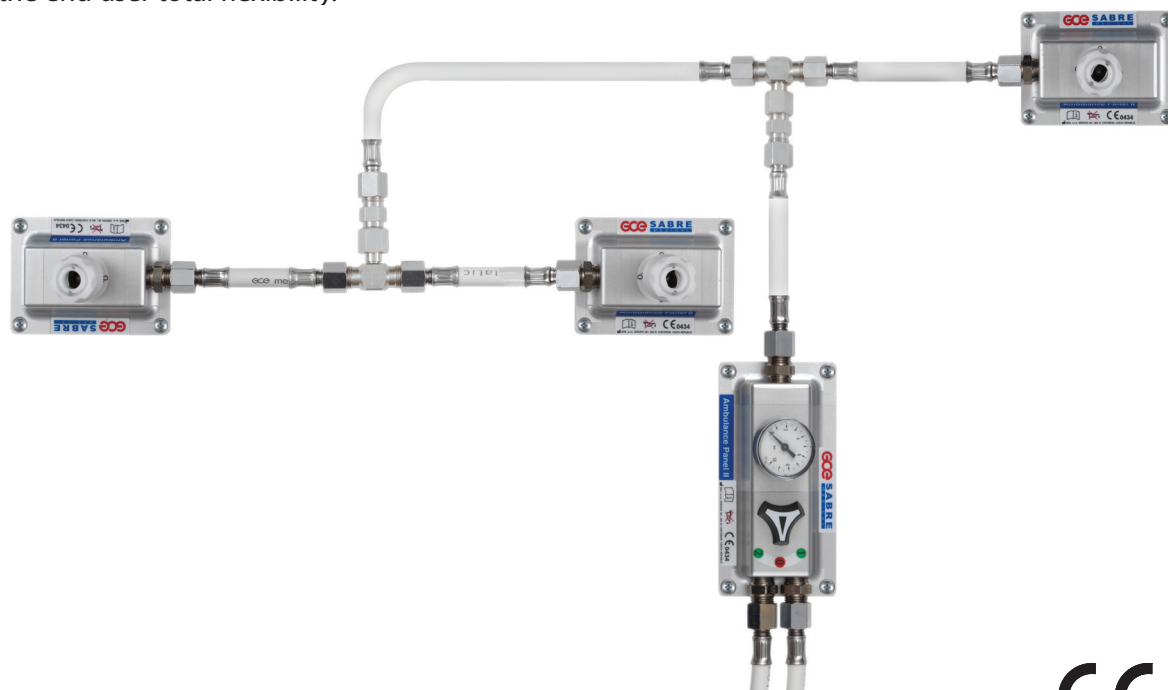
EDITION 1/2013

**The APS II is a bespoke system containing an ambulance panel, hoses and regulators ready to be mounted in an ambulance. The system is CE marked and complies with EN 1789.**

### FLEXIBILITY

The APS II has three main components: regulators, hose-assemblies and panels.

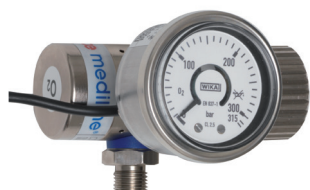
The modular design of the individual components means that they are infinitely variable. The individual components can then be combined in many different configurations giving the end user total flexibility.



### AMBULANCE REGULATORS

The APS II can be delivered with two types of ambulance regulators, Medireg and Varimed. The APS II can also be used with combivalves\*. Generally Medireg is for lower capacity and Varimed for higher capacity and this capacity is determined by the equipment that is used in the ambulance. The ambulance regulators are designed to withstand the conditions in the road ambulance and are manufactured according to EN 1789. The ambulance regulators are delivered with either standard 3/8" connections or quick connectors. The Varimed and Medireg can be delivered with electronic signal gauge to be connected to the ambulance monitoring or gas monitoring systems.

\*Some restrictions regarding pressure monitoring when APS II includes electronic monitoring system.



Medireg®

### AMBULANCE HOSE

The hoses connect to the regulators and the panels. The hoses are made up to individual specifications and are clamped and tested ready to install in the ambulance, or "SMART Fit". The special concept "SMART Fit" allows the ambulance builder to cut and adjust the hoses to fit in the ambulance. The hoses can be delivered static or antistatic. The standard connection is 3/8". The low pressure hoses can also be delivered stainless steel reinforced



Varimed



Standard Ambulance Hose



Steel reinforced



SMART Fit



### AMBULANCE PANEL

The new ambulance panel range from GCE Sabre Medical offers unrivalled flexibility in its installation and design. The modular concept uses common components leading to shorter lead times for manufacture and installation. Modules are infinitely variable and can incorporate gauges, switchovers, outlets or integral flow selectors and suction.

Low profile back plates ensure close fitting to the ambulance wall whilst rounded edges avoid patients being exposed to sharp corners. The clear and simple gauge and switchover system allows easy surveillance and visibility by ambulance staff.



### TECHNICAL DATA APS II

Gas:	O <sub>2</sub> , Air, N <sub>2</sub> O/O <sub>2</sub>
Cylinder pressure:	20-200 bar
Working pressure/flow:	see separate information about regulators
Capacity Medireg:	Recommended max 2 QC outlets
Capacity Varimed:	Recommended max 5 QC outlets
QC outlet variants	SS, DIN, NF, BS, UNI, CZ
Capacity QC:	60 l/min*
Capacity FLS:	0-15, 0-25 l/min
Capacity suction:	25 l/min
Connection	G3/8" (female)
Connection hoses:	G3/8", G1/4", SS, DIN, NF, BS, UNI, CZ
Hoses:	static, antistatic, stainless steel reinforced
Working Temperature:	-20C - +60C
Standards:	EN1789:2008
Manufacturer:	GCE, s.r.o., Žižkova 381 583 81 Chotebor, CZ

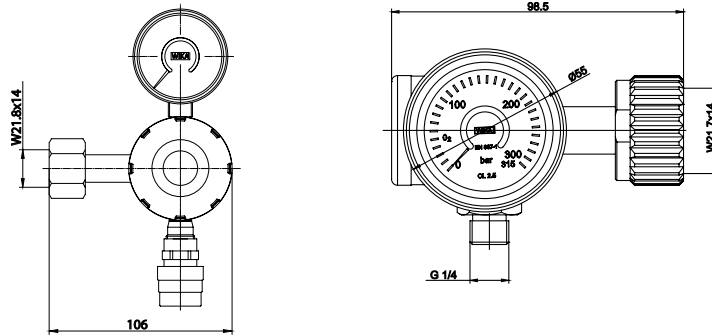
\*at 0,5bar pressure drop

## APS II COMPONENTS DEFINITIONS

### AMBULANCE REGULATORS

#### DEFINITION AMBULANCE REGULATOR

Type:	Varimed, Medireg
Gas:	O <sub>2</sub>
Inlet:	acc. to national stds
Outlet:	G 1/4", QC acc. national stds
Gauge:	Standard, Electronic



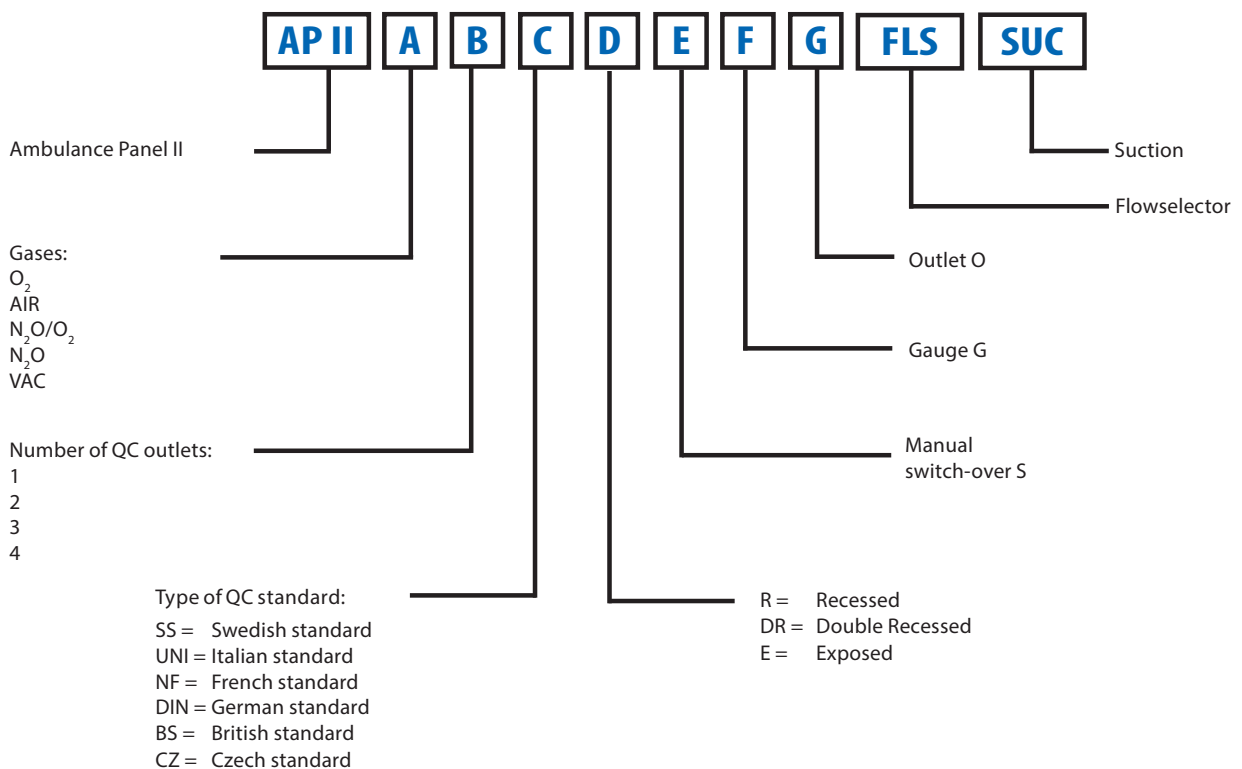
### HOSE-ASSEMBLIES

#### DEFINITION AMBULANCE HOSE

Type:	Ambulance Hose, Steelreinforced, SMART Fit
Gas:	O <sub>2</sub>
Inlet:	G3/8", G1/4", QC nat. stds
Outlet:	G3/8", G1/4", QC nat. stds

### AMBULANCE PANEL

#### DEFINITION AP II



## EXAMPLE APS II

Below example shows an APS II with following components:

**3× AP II O2 1×BS E**

**1× AP II O2 E S G**

**2× Amb.Hose O2 1m G3/8-BS Probe**

**1× Amb.Hose O2 0,25m G3/8-G3/8**

**1× Amb.Hose O2 3,7m G3/8-G3/8 CTF**

**1× Amb.Hose O2 4,1m G3/8-G3/8 CTF**

**2× Amb.Hose O2 0,07m G3/8-G3/8**

**2× T-Piece**

**2× Varimed regulators**

Three AP II with one outlet, British standard, exposed

One AP II with switch and gauge, exposed

Two ambulance hoses, 1 meter, with 3/8 connection in one end and a British style probe in the other

One hose, 25 cm, with 3/8 connections

One hose, 3,7 meter, with 3/8 connections, one end not clamped

One hose, 4,1 meter, with 3/8 connections, one end not clamped

One hose, 7 cm, with 3/8 connections

One T-pieces with 3/8 connections

Two Varimed regulators

